

# Cub Scout Pack 3250

Chartered to:

**Heatherstone School**

**Olathe, KS**

Affiliated with:

**Red Tail Hawk District**

**Heart of America Council**

**Boy Scouts of America**



# Parent Handbook



## Cub Scouts Pack 3250

Hi, and welcome to Cub Scouts Pack 3250! Here's hoping the information and guidelines presented to you in the next few pages will help you get off to a good start for the coming year. Please keep this packet as a handy reference for future information needs regarding Pack policy and uniform information. Thank you.

To begin with, your son is a member of Pack 3250, which is in the Red Tail Hawk District, belonging to the Heart of America Council. The Pack is made up of Dens, which is a group of boys usually in the same grade as that of your son. Each Den has a specific numeral attached to it. Collectively, we are Cub Scouts, and are members of the National organization, the Boy Scouts of America (B.S.A.).

All Packs have a Chartered Organization which acts as a 'sponsor', and ours is the Heatherstone PTO located at Heatherstone School.

The Pack is run by the registered BSA Adult Leaders of the Pack who make up the Pack Committee, which includes a Committee Chair, Secretary, Treasurer, Event coordinators, Awards coordinators, Den leaders, Assistant Den Leaders, and others. All parents of a Cub Scout in Pack 3250 are welcomed and encouraged to become a Committee Member. Our committee meetings are typically held the second Tuesday of each month at 7pm at Room 206 at Indian Creek Community Church and is open to all parents of Scouts in Pack 3250. Please see [www.pack3250.com](http://www.pack3250.com) for exact dates.

Unless previously announced, our Pack meetings are usually the third Thursday of every month at Heatherstone school gymnasium at 6:30PM and last about 1 hour. Please see [www.pack3250.com](http://www.pack3250.com) for exact dates.

### Den Meetings

Lots of Cub Scouting happens in the den. Please remember that your son's Den Leader is a *volunteer* putting forth his or her time and effort to help your boy 'do his best' to earn his badges, participate in the fun, and gain all the positive values that the Cub Scout program offers. Please assist them in the following ways.

- Please have your son to den meetings on time. Your den leaders have lots of activities planned and it is important to have the whole group together to begin the evening's fun and projects.
- Please pick up your son from den meetings on time. Your den leader has places to go and kids that they have to put to bed, too. Better yet, ask your den leader if they could use an extra pair of hands that night and stay. Not only will your help be appreciated, but also you can see what your son is working on.  
Tiger Cubs must have an Adult Partner with them at all meetings, trips, etc. Enjoy the time together!
- Please pay your dues promptly. Your den leader or other parents will be purchasing various items for craft projects, supplies, snacks, etc., and it sure helps to have the money 'on hand'. Also, please make sure your son has his handbook, and anything else he needs for the meeting before leaving the house.
- Be an active parent. *Everybody* has some special abilities and 'know how' that can be of great help in matters relating to Cub Scouts. Please make sure you have completed the Parent Talent Survey Sheet and return it to your leader. In addition to the boys learning new skills from *you*, I promise that you will have a good time helping *them*.

## Pack Meetings

Whereas at Den meetings the boys might do activities towards earning rank badges and awards, the monthly Pack meeting is *where* these awards are presented. It is an **important** part of the program, as it allows the boys to receive their recognition in front of the group as a whole, inspires the younger scouts to strive towards achieving future ranks, and brings everybody together for the big night!

At Pack meetings, the Cubmaster will 'do their best' to make sure that each Den has a chance to display that special craft they made, song they learned, skit they've rehearsed, or interesting place they visited. In addition, there might be a drawing, advancement ceremony, or other themed event planned for the evening.

Please observe the followings guidelines in regards to Pack meetings.

- Please accompany your son to his Pack meeting. Pack meetings are a *family* event - brothers, sisters, grandparents, but most of all, **YOU!** We require you there not only to help keep order at the meeting (things *can* get a bit rowdy), but also because in Scouting many awards are presented to the parent who then presents it to the Scout. Cub Scouts is a family program.
- Please arrive to Pack meetings on time. Plan on arriving at least ten minutes early to receive a ticket for a drawing, confer with your son's Den leader about upcoming things, chat with friends, etc., as the meeting needs to begin on time. If your son is helping out as a member of a flag ceremony, or assisting with other Pack meeting activities, it is imperative to have him there on time. Thank you.
- If your son has a uniform, the Pack meeting is *definitely* the place to wear it.  
Class A - Shirts tucked in - looking sharp!

Most of all, we hope to make Pack meetings entertaining, enriching, and FUN!!!

### \$\$\$\$\$\$\$\$\$\$ Pack 3250 and B.S.A. Dues \$\$\$\$\$\$\$\$\$\$

Throughout the Scout year, your Den leader or Pack Treasurer will be collecting money for various Pack functions and activities. These will be addressed in the monthly newsletters that will be handed out at Pack Meetings, and also via weekly information given to you at Den meetings. The following is a reminder of what two fees are required for your son's involvement in the Pack.

**Pack 3250 Dues \$65:** This fee goes towards the cost of your son's Pinewood Derby car, rain gutter regatta boat and the many awards that will be presented to him throughout the year. The deadline for this is the September Pack meeting. This fee includes the B.S.A. annual fee for every registered Scout and Adult leader for the annual rechartering of the Pack. This fee includes the yearly membership to B.S.A. and for the insurance issued to cover the boys and Adult Leaders at all Scout functions as well as a subscription to Boy's Life magazine.

The Pack maintains a separate bank account with records being kept by a Pack Treasurer.

## Fund Raisers

Throughout the year there will be only ONE fund-raising activity. The Pack sells popcorn in Aug and Sept and funds the activities for the year. As Cub Scouts, we will always try and make sure to emphasize the fun in fundraising. Thank you.

## Cub Scouting and You

When your son earns his Bobcat badge he learns the Law of the Pack. One of these laws states "The Cub Scout Helps the Pack Go". Throughout the year there are banquets, a fund-raiser, Scout shows, parades, derbies, camping trips, and many other activities and functions. Ambitious as they are, a Cub Scout still needs *your* help in implementing the program and thereby giving *us* the chance to keep our promise in the part of the Law that states "The Pack Helps the Cub Scout Grow".

Remember, the Pack is all of us working together... leaders, parents, and Scouts.

Unlike other programs your son might enroll in, Cub Scouting involves the whole family, no matter what size or parental make-up exists in the home. In Tigers, you are your son's Adult Partner. In Wolves and Bears, you are Akela, the wise leader of the tribe of Webelos, and the final judge of your son's efforts. At the Webelos rank, you are the Activity Badge counselors that could help influence a boy's career direction

Throughout the year you will be asked to assist on different committees, and at different events. Please volunteer freely, and give of yourself when called upon to help. You will find it a rewarding experience, and one in which you and your son will remember that you did together. Thank you.

## Uniforms, Patches, and Accessories

Scouts in uniform are more conscious of their role in Cub Scouting, and feel a sense of pride and belonging when wearing one. A uniform provides a proper place for the display of badges earned and a way for him to 'show the world' that he has been rewarded for his achievements.

In addition, Scouts in uniform create a strong, positive, visible image in the community that helps to strengthen the important ties between the public and the Scouting organization.

### Where to Buy

Uniforms, patches and accessories are available at Scout headquarters (Holmes and 435) or Nill Bros Sports (Santa Fe near Mur Len in Olathe only).

For a *real* treat, take a drive down to Scout Headquarters and visit the wonderful store. In addition to uniforms, they carry everything you see in the Scout Catalog and then some. Enjoy the time spent there! Your son will love it!

### Shirts

The main article of the uniform is the shirt, as it displays the rank of the Scout, and identifies him as belonging to a certain Den, Pack and Council. When purchasing a new uniform, remember that your son is growing and if, for example, he is now a newly signed up Wolf Cub, get an extra size or two larger, so he can wear it for his Bear year as well.

A typically outfitted Cub has Shirt, Neckerchief (indicates rank, Tiger is first), a slide (or "woggle") to hold neckerchief, a belt (this is important as he will receive belt loop indicating skills). Optionally, there are hats, and pants/shorts. Note: also see Patches for purchasing.

### Patches

In addition to the purchasing of a uniform, there will be many patches that need to be sewn on your son's shirt. Please pay close attention as to *where* on the uniform these need to be placed. (Please refer to uniform insignia placement on the next page).

It is important that when your son receives a badge that is to be a part of his uniform, you affix it to his shirt as soon as possible. He earned it, and he deserves to have it displayed. Thank you.

A uniform is something that a Scout can help pay for himself by assigning him various chores around the house, or helping out with other home projects. Also, keep in mind that uniforms, Scout accessories, camping supplies, and other 'Scout stuff' make *excellent* birthday and holiday presents for your son or the Scouter in your family.

### What to Buy

#### **Tigers, Wolves and Bears**

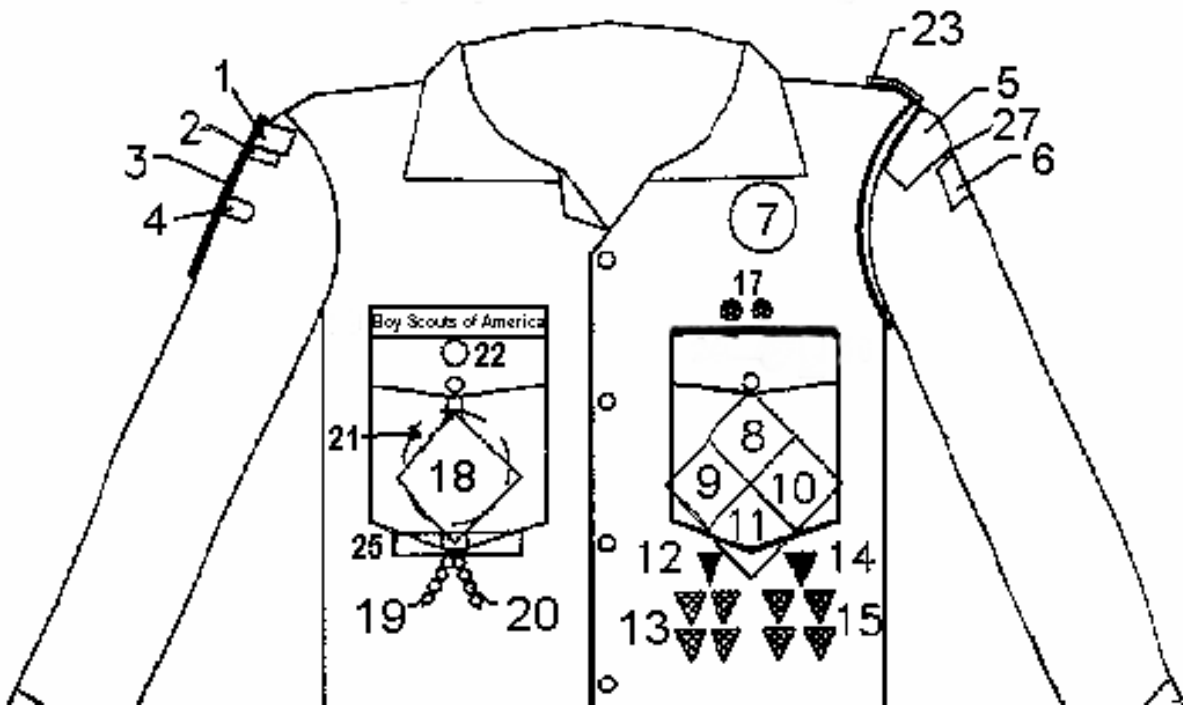
- Tiger, Wolf or Bear Handbook (please purchase handbook as soon as possible)
- Blue Cub Scout Shirt with U.S. flag – [(short sleeve {recommended} or long sleeve)]
- Heart of America Council Patch
- Pack 3250 Note: at Pack meeting we will have a single patch rather than buying '3' '2' '5' '0'
- Your son's Den Number Strip – will be assigned
- World Crest Emblem (purple patch with the fleur-de-lis symbol)
- Tiger (orange) Wolf (yellow) or Bear (blue) Cub Scout Neckerchief and Cub Scout Slide
- Cub Scout Web Belt And Buckle (These are designed to fit the Belt Loop awards that Scouts can earn)
- Optional Official Cub Scout Shorts / Pants

#### **Webelos**

- Webelos Handbook (please purchase handbook as soon as possible)
- \*Tan Boy Scout Shirt with U.S. Flag - [(short sleeve / long sleeve)] if new scout joining as a Webelo only
- Heart of America Council Patch
- Pack 3250 Note: at Pack meeting we will have a single patch rather than buying '3' '2' '5' '0'
- Your son's Den Number Strip – will be assigned
- World Crest Emblem (purple patch with the fleur-de-lis symbol)
- Checkered Webelos Neckerchief and Webelos Slide
- Blue Shoulder Loops for tan shirt (only for tan shirt, not necessary for blue shirt)
- Cub Scout Web Belt and Webelos Buckle (These are designed to fit the Belt Loop awards that Scouts can earn. The Webelos / Boy Scout green belt is wider and Belt Loops must be expanded to fit)
- Webelos Colors - Activity Badge pins may be worn on the Webelos Hat or the Webelos Colors
- Optional Official Boy Scout Shorts / Pants

\*Note: A Webelos Scout may wear either the Blue or Tan shirt. If you are just joining as a Webelos, it is recommended to purchase the Tan uniform. Tan uniforms are used in Boy Scouts.

## Uniform Insignia Placement – BLUE SHIRT ONLY



- |  |  |
|--|--|
| <ol style="list-style-type: none"> <li>1. American Flag (comes with uniform)</li> <li>2. Den Number</li> <li>3. Webelos Colors (optional)</li> <li>4. Quality Unit Award (most recent only)</li> <li>5. Council Emblem</li> <li>6. Pack Numerals</li> <li>7. World Crest</li> <li>8. Bobcat Badge</li> <li>9. Wolf Badge</li> <li>10. Bear Badge</li> <li>11. Tiger Badge (or Webelos badge on blue uniform only)</li> <li>12. Wolf Gold Arrow Point</li> <li>13. Wolf Silver Arrow Points</li> <li>14. Bear Gold Arrow Point</li> <li>15. Bear Silver Arrow Points</li> </ol> | <ol style="list-style-type: none"> <li>16. Tiger Cub Service Star</li> <li>17. Cub Scout Service Star</li> <li>18. Immediate Recognition Kit</li> <li>19 &amp; 20. Recognition Kit Beads</li> <li>21. Temporary Patch (or Webelos Compass Badge)</li> <li>22. Summertime Pack Award</li> <li>23. Denner Cords</li> <li>24. (Not Shown) Arrow of Light – below left pocket</li> <li>25. Recruiter Strip</li> <li><b>26. (Not Shown). Oval Webelos Badge - Centered on left pocket under flap on tan uniform only</b></li> </ol> |
|--|--|

**\*\* Tan shirts do not have tiger, wolf, bear or bobcat patches on the left pocket. Only one rank is worn on the left pocket as is done in Boy Scouts.**

## **A Brief Summary of Scouting and the Cub Scout Program**

Scouting has been around a long time. The Boy Scouts of America was founded in 1910, and became federally chartered with the United States in 1916. Cub Scouts came into being in 1930. Millions of boys have worn the uniform, cooked over an open fire at a campsite, earned their Bobcat, raced their Pinewood Derby cars, worked on service projects, and made new friends under the umbrella of Scouting.

Flowing underneath all this fun and excitement is a character-building program that encourages making good ethical choices, family strengthening, physical fitness, and citizenship skills in the lives of our boys.

Scouting utilizes an advancement system that requires a boy to 'do his best' to fulfill and complete the requirements outlined in his handbook so that he may earn his rank badge. After receiving his badge, these Scouts can go on to earn other awards by completing a series of electives. Please keep in mind that although there are lots of awards and recognitions in Scouting, Pack 3250 will strive towards the end that these are earned through significant, meaningful methods that your son will remember for a long time.

At the Tiger, Wolf, and Bear ranks, Cub Scouting centers on monthly themes that have lots of appeal to boys at this age. During den meetings, the boys will be playing games, building craft projects, learning songs, etc. relating to this theme. In doing so, these boys will be improving on different skills as they learn to get along with others, become more resourceful, and participate in new activities and venues.

At the Webelos level, in lieu of the monthly theme, the boys are introduced to several diverse Activity Badges and, within the framework of the Webelos den, they work on completing these badges.

If you'll notice, there are Webelos 1's (4<sup>th</sup> graders) and Webelos 2's (5<sup>th</sup> graders). At the first level, after earning their Webelos badge, Webelos 1's continue to earn additional activity badges and gain new knowledge and skills in these areas. The Webelos 2's, though maybe still earning Activity Badges, also begin focusing on completing other requirements for their Arrow of Light award and will be conducting activities with various Boy Scout Troops.

Pack 3250 follows a 'Scout year' of August to May and upon nearing the end of the school term, all the boys 'cross over' into the next rank. During the summer, Den meeting work on achievements may be suspended as the Pack will meet monthly at fun outings such as a fishing derby, street clean up, Old Settlers parade, baseball game, etc. that goes toward the boys earning their Summertime Award pin.

There are many, many events offered in Scouting. In addition to the events at Den meetings, Pack 3250 will have family camping trips, Pinewood Derby races, a Blue and Gold dinner, and much more that's just for us in the Pack 3250.

In addition, there are District events, which unite us with hundreds of Scouts, and Council events that can have thousands of Scouts in attendance. Your participation at these functions will definitely add to your son's Scouting experience.

Thank you for taking the time to go over this handbook with your new Cub Scout! With your help, this will be an exciting, rewarding experience for you, your son, your family, and your Pack.

We're glad you've joined us! If you have any questions, please don't hesitate to ask.

Also please visit [www.pack3250.com](http://www.pack3250.com) for more information about our Pack.

Yours in Scouting,  
Warren Cope, Committee Chairman, (913) 768-1808 [copew@swbell.net](mailto:copew@swbell.net)